

bk3000 Ultrasound System

BK Medical's bk3000 is an ultra high-resolution ultrasound system that delivers exceptional speed and performance.

SUPERIOR IMAGING

- Excellent images with high spatial, temporal, and contrast resolution with very little adjustment
- Subtle tissue contrast; more information at depth and exceptional detail in moving structures

ACCELERATED WORKFLOW

- No-touch Autogain feature quickly optimizes the image
- Responsive triplex imaging with exceptionally high frame rates
- Elastography and contrast imaging for quickly identifying regions of interest
- Battery solution provides two hours of imaging time and instant wake-up from Power Save Mode

EXTENSIVE RANGE OF INNOVATIVE TRANSDUCERS

- Comprehensive range of specialized and sterilizable transducers for ultrasound-guided procedures
- Unique Smart Button™ enables you to activate the transducer, and freeze, print, and store images with a simple touch
- Up to four transducers can be connected at one time. The advanced transducer connector is designed for noise reduction in the ultrasound image and one-handed operation
- Most BK Medical transducers are fully immersible for easy sterilization

EXCEPTIONAL SYSTEM DESIGN

- Small footprint and sleek design ensures that the system fits in tight spaces
- Exceptional images on a big, 19" monitor - see detail from anywhere at any angle.
- The system is completely adjustable to suit clinicians' preferences
- The keyboard is sealed for ease of cleaning

bkFusion

bkFusion enhances your clinical findings with true, real-time MRI-to-ultrasound fusion during transrectal and transperineal prostate biopsies.

- bkFusion gives you a single-system footprint with a simultaneous display of MRI and ultrasound
- bkFusion has a simple workflow that enhances your familiar biopsy procedure with MRI data
- Predictive Fusion® is a ground-breaking technology that reduces your procedure steps by eliminating the need to draw ultrasound prostate contours
- bkFusion ensures your real-time ultrasound imaging and MRI targets stay aligned with either the free-hand transrectal or the transperineal biopsy approach



BK3000 SYSTEM



BK3000 SYSTEM WITH BATTERY



BKFUSION (TRANSRECTAL SETUP)

TRANSDUCER OVERVIEW

TRANSDUCERS	NEEDLE GUIDE	IMAGING MODES				APPLICATIONS (INDICATIONS FOR USE)												
		ELASTOGRAPHY	CONTRAST IMAGING	CW DOPPLER	VECTOR FLOW IMAGING	ABDOMINAL	ADULT CEPHALIC (TRANSCRANIAL)	CARDIAC ADULT	FETAL INCL. OBSTETRICS	MUSCULOSKELETAL (CONVENTIONAL)	MUSCULOSKELETAL (SUPERFICIAL)	NEONATAL CEPHALIC	PEDIATRICS	PERIPHERAL VESSEL (PERIPHERAL VASCULAR)	SMALL ORGAN (SMALL PARTS)	TRANSEOPHAGEAL CARDIAC	TRANSRECTAL	TRANSVAGINAL
5C1e (9085) CURVED ARRAY TRANSDUCER	SINGLE-USE					o			o	o								
6C2 (9040) CURVED ARRAY TRANSDUCER	SINGLE-USE & REUSABLE		o			o			o	o								
6C2s (9023) SMALL CURVED ARRAY TRANSDUCER	SINGLE-USE & REUSABLE		o			o			o			o						
9C2 (9002) CURVED ARRAY TRANSDUCER	REUSABLE	o				o			o	o		o	o					
14L3 (9051) LINEAR ARRAY TRANSDUCER	SINGLE-USE	o			o					o	o		o	o	o ¹			
13L4w (9011) WIDE LINEAR ARRAY TRANSDUCER	REUSABLE	o								o	o		o	o	o ^{1,2,3}			
10L2w (9022) WIDE LINEAR ARRAY TRANSDUCER	REUSABLE	o			o								o					
18L5 (9070) HIGH-FREQUENCY LINEAR ARRAY TRANSDUCER	REUSABLE	o								o	o		o	o	o ^{1,4}			
18L5s (9081) SMALL HIGH-FREQUENCY LINEAR ARRAY TRANSDUCER	-	o								o	o		o	o	o ¹			
8L2 (9032) LINEAR ARRAY TRANSDUCER	SINGLE-USE	o	o		o					o	o		o	o	o ¹			
E13C2 (9029) ENDFIRE ENDOCAVITY TRANSDUCER	SINGLE-USE & REUSABLE	o	o														o	o
E14C4t (9018) TRIPLANE ENDOCAVITY TRANSDUCER	SINGLE-USE & REUSABLE	o	o														o	o
X14L4 (9038) 3D ENDOCAVITY TRANSDUCER	-	o	o														o	o
E14CL4b (9048) BIPLANE ENDOCAVITY TRANSDUCER	REUSABLE	o	o														o	o
E10C4 (9019) ENDOCAVITY TRANSDUCER	SINGLE-USE & REUSABLE	o						o									o	o
20R3 (9052) ANORECTAL TRANSDUCER	-																o	o
N13C5⁶ (9062) CURVED ARRAY TRANSDUCER	SINGLE-USE	o										o	o					
5P1 (9077) PHASED ARRAY TRANSDUCER	-			o		o	o	o ⁵										
X18L5s⁶ (9009) HOCKEY STICK TRANSDUCER	-	o								o	o		o	o				
T7P2m (9027) TEE TRANSDUCER	-			o												o		

- 1. Breast, thyroid, testes
- 2. Penis
- 3. Parathyroid, salivary glands, lymph nodes
- 4. Superficial anatomy
- 5. Not for direct use on the heart
- 6. Use of the transducer for elastography has not been CE-marked

BK3000 = REF. TYPE 2300

ORDERING INFORMATION AND SPECIFICATIONS

SYSTEMS

2300-01	BK3000 ULTRASOUND SYSTEM
2300-11	BK3000 ULTRASOUND SYSTEM WITH BATTERY

APPLICATION PACKS

UA2601 PROSTATE	PROSTATE
UA2335 BRACHYTHERAPY	BRACHYTHERAPY
UA2336 ABDOMEN	ABDOMEN
UA2337 SMALL PARTS	SMALL PARTS
UA2339 ¹ COLORECTAL	COLORECTAL
UA2369 ¹ PELVIC FLOOR	PELVIC FLOOR
UA2602 WOMEN'S HEALTH	GYN, OB
UA2397 ² MSK&NERVE	MSK & NERVE
UA2603 VASCULAR	VASCULAR
UA2375 PEDIATRIC	PEDIATRIC
UA2604	UROLOGY ADVANCED BUNDLE
UA2378	UPGRADE: LATEST SOFTWARE + DICOM ENCRYPTED
UA2380	UPGRADE: BK3000 to BK5000

OPTIONS

UA2321	3D FREEHAND
UA2322	3D PROFESSIONAL
UA2389	DICOM ENCRYPTED
UA2324	CONTRAST ENHANCED ULTRASOUND
UA2325	VECTOR FLOW IMAGING (VFI) ³
UA2327	VARIAN INTERFACE ⁴
UA2328	ELASTOGRAPHY
UA2333	NEEDLE ENHANCEMENT (X-SHINE)
UA2334	BRAINLAB NEURO NAVIGATION
UA2374	BKFUSION FOR BK3000/BK5000
UA2340	MEDTRONIC LIVER NAVIGATION ⁵
UA2331	WIFI

1.Includes UA2322 3D Professional

2.Includes cardiac presets and compatibility with transducers for anesthesiology

3. VFI only compatible with selected transducers. See "TRANSDUCER OVERVIEW" on page 2.

4. Varian Interface requires the UA2601 Prostate Application Pack or UA2604 Urology Advanced Bundle.

5.USA only

ACCESSORIES

UA1370	BASKET FOR ACCESSORIES
UA2351	UNIVERSAL PRINTER SHELF
UA2352	FOOT SWITCH
UA2353	INTEGRATED PRINTER START-UP KIT
UA2355	WI-FI (DONGLE) <i>WIFI (DONGLE) REQUIRES UA2331 WIFI.</i>
UA2357	ENDOTRANSDUCER HOLDER
UA2359	PRINTER START-UP KIT
UA2360	FLEXIBLE ENDOTRANSDUCER HOLDER
UA2361	WIRELESS REMOTE CONTROL
UA2371	EM SENSOR (BKFUSION)
UA2377	SENSOR CLAMP FOR E14C4t (9018) TRANSDUCER (BKFUSION)
UA2399	SENSOR CLAMP FOR E13C2 (9029) TRANSDUCER (BKFUSION)
UA1418	CONNECTOR COVER WITH VALVE
UA2024	CIVCO EX3 STEPPER KIT (FOR E14CL4b/8848)

BKFUSION TR FUSION KITS

UA2379-01	<ul style="list-style-type: none"> UA2372-01 BKFUSION TR SOFTWARE UA2374 BKFUSION LICENSE UA2371 EM SENSOR EM CONTROL UNIT AND SHELF EM TRANSMITTER STAND, EM TRANSMITTER UNIVERSAL CLAMP CABLES <p>Note that sensor clamps for transducers must be ordered separately</p>
-----------	--

BKFUSION TP FUSION KITS

UA2390-01	<ul style="list-style-type: none"> UA2373-01 BKFUSION TP SOFTWARE UA2374 BKFUSION LICENSE UA4010 EXIII TRACKED STEPPER, MICROTOUCH STAND - 18G TEMPLATES
UA2390-04	<ul style="list-style-type: none"> UA2373-01 BKFUSION TP SOFTWARE UA2374 BKFUSION LICENSE

CLEANING AND DISINFECTION

COMPLETE DETAILS AND PROCEDURES CAN BE FOUND IN THE CARE AND CLEANING USER GUIDE ([HTTPS://WWW.BKMEDICAL.COM/SUPPORT/BK/CLEANING](https://www.bkmedical.com/support/bk/cleaning)).

SYSTEM CLEANING AND DISINFECTION. WIPING WITH:

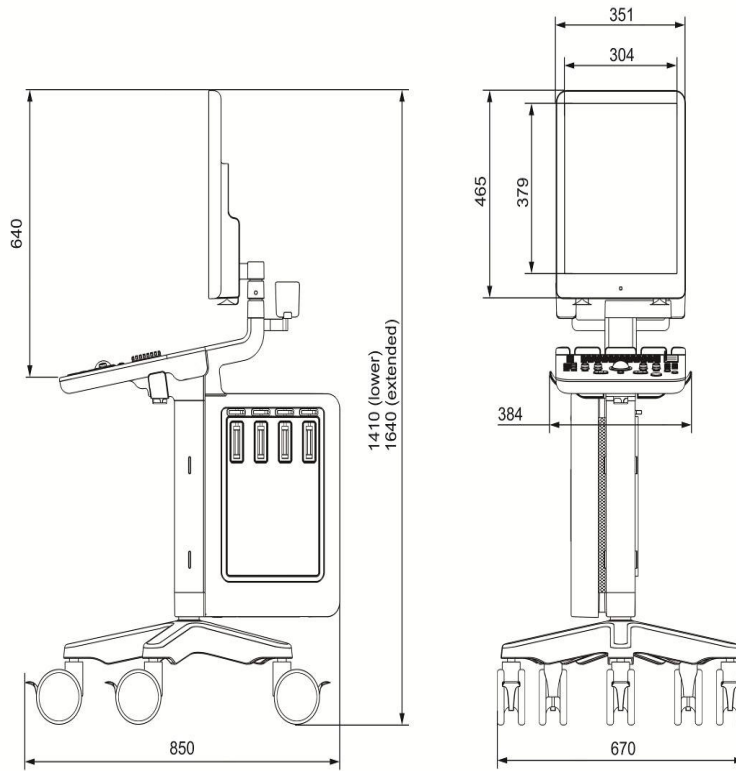
- TRISTEL® DUO FOR ULTRASOUND
- ETHANOL (70-85%)
- WET WIPE ETHANOL DISINFECTION

SYSTEM WEIGHT

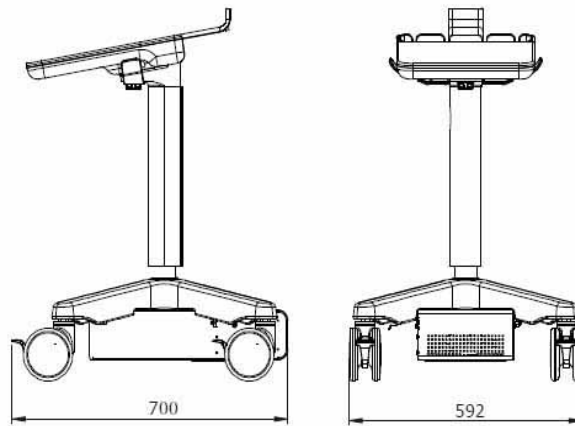
- 70KG (EXCLUDING TRANSDUCERS AND PRINTER)
- SYSTEM WITH BATTERY SOLUTION: 90KG (EXCLUDING TRANSDUCERS)

TECHNICAL DRAWINGS

ALL MEASUREMENTS ARE IN MM.



BATTERY SOLUTION



bkFusion powered by 

 BK Medical ApS, Mileparken 34, 2730 Herlev, Denmark. T +45 4452 8100 F +45 4452 8199

BK Medical
8 Centennial Drive
Peabody
MA01960
USA
T + 1 978-326-1300
bkmedical.com

USA
Sales & Service
BK Medical
8 Centennial Drive
Peabody
MA01960
USA
T + 1 978-326-1300
F + 1 978-326-1399
bkmedical.com

Europe and Rest of World
Sales, Service & Design Center
BK Medical
Mileparken 34
2730 Herlev
Denmark
T +45 4452 8100
F +45 4452 8199
bkmedical.com

bk medical 