

bkSpecto Ultrasound System

The bkSpecto is an intuitive ultrasound system with excellent, immediate imaging that users can personalize to their specific needs for fast training and easier procedures.

Personalize your workflow with the unique, easy-to-use interface and touch screen.

Excellent image quality for visualizing structures and performing confident procedures.

A wide range of BK's high-performance, sterilizable transducers.

Sealed glass interface makes cleaning and infection control fast and efficient.

Integrated battery and ergonomic design for mobility in your procedure room.

Advanced technology and performance modes: Vector Flow Imaging (VFI), 3D, Elastography, Needle Enhance, DICOM, and WIFI.

Custom-fit clinical design. Adjust monitor orientation to suit your needs.



TRANSDUCER OVERVIEW

| TRANSDUCERS | NEEDLE GUIDE | IMAGING MODES | | | APPLICATION (INDICATIONS FOR USE) | | | | | | | | | | |
|---|-----------------------|------------------------|--------------|------------|-----------------------------------|-----------|----------------|---------------|------------------------|--------------------------------|-------------------------------|---|---------------------------|-------------|--------------|
| | | SINGLE-USE OR REUSABLE | ELASTOGRAPHY | CW DOPPLER | VECTOR FLOW IMAGING | ABDOMINAL | PEDIATRICS | CARDIAC ADULT | FETAL INCL. OBSTETRICS | MUSCULOSKELETAL (CONVENTIONAL) | MUSCULOSKELETAL (SUPERFICIAL) | PERIPHERAL VESSEL (PERIPHERAL VASCULAR) | SMALL ORGAN (SMALL PARTS) | TRANSRECTAL | TRANSVAGINAL |
| 5C1e (9085) CURVED ARRAY TRANSDUCER | SINGLE-USE | | | | o | | | o | o | | | | | | |
| 6C2 (9040) CURVED ARRAY TRANSDUCER | SINGLE-USE & REUSABLE | | | | o | | | o | o | | | | | | |
| 6C2s (9023) SMALL CURVED ARRAY TRANSDUCER | SINGLE-USE & REUSABLE | | | | o | o | | o | | | | | | | |
| 9C2 (9002) CURVED ARRAY TRANSDUCER | REUSABLE | o | | | o | o | | o | o | | o | | | | |
| 14L3 (9051) LINEAR ARRAY TRANSDUCER | SINGLE-USE | o | | o | | o | | | o | o | o | o ¹ | | | |
| 14L3e (9086) LINEAR ARRAY TRANSDUCER | SINGLE-USE | o | | o | | o | | | o | o | o | o ^{1,2} | | | |
| 13L4w (9011) WIDE LINEAR ARRAY TRANSDUCER | REUSABLE | o | | | | o | | | o | o | o | o ^{1,2,3} | | | |
| 18L5 (9070) HIGH-FREQUENCY LINEAR ARRAY TRANSDUCER | REUSABLE | o | | | | | | | o | o | o | o ^{1,4} | | | |
| 18L5s (9081) HIGH-FREQUENCY LINEAR ARRAY TRANSDUCER | N/A | o | | | | o | | | o | o | o | o ¹ | | | |
| 8L2 (9032) LINEAR ARRAY TRANSDUCER | SINGLE-USE | o | | o | | o | | | o | o | o | o ¹ | | | |
| E11C3b (9008) BIPLANE ENDOCAVITY TRANSDUCER | SINGLE-USE & REUSABLE | o | | | | | | | | | | | o | | |
| E13C2 (9029) ENDFIRE ENDOCAVITY TRANSDUCER | SINGLE-USE & REUSABLE | o | | | | | | | | | | | o | o | |
| E14C4t (9018) TRIPLANE ENDOCAVITY TRANSDUCER | SINGLE-USE & REUSABLE | o | | | | | | | | | | | o | o | |
| E14CL4b (9048) BIPLANE ENDOCAVITY TRANSDUCER | REUSABLE | o | | | | | | | | | | | o | o | |
| E10C4 (9019) ENDOCAVITY TRANSDUCER | SINGLE-USE & REUSABLE | o | | | | | | o | | | | | o | o | |
| 20R3 (9052) ANORECTAL TRANSDUCER | N/A | | | | | | | | | | | | o | o | |
| X14L4 (9038) 3D ENDOCAVITY TRANSDUCER | N/A | o | | | | | | | | | | | o | o | |
| X18L5s (9009)⁵ HOCKEY STICK TRANSDUCER | N/A | o | | | | | | | o | o | o | o | | | |
| 5P1e (9087) PHASED ARRAY TRANSDUCER | N/A | | o | | o | o | o ⁶ | | | | | | | | |

1. Breast, thyroid, testes

2. Penis

3. Parathyroid, salivary glands, lymph nodes

4. Superficial anatomy

5. Use of the transducer for elastography has not been CE-marked

6. Not for direct use on the heart

BKSPECTO=[REF] 1300

ORDERING INFORMATION

| SYSTEM | |
|---------|--|
| 1300-21 | 1300 ULTRASOUND SYSTEM, BKSPECTO W/ BATTERY |
| 1300-25 | 1300 ULTRASOUND SYSTEM, BKSPECTO W/O BATTERY |

| PROCEDURAL APPLICATION PACKS | |
|------------------------------|--|
| UA2457 | PROSTATE PROCEDURAL APPLICATION ESSENTIAL |
| UA2490 | PROSTATE PROCEDURAL APPLICATION ADVANCED |
| UA2458 | ABDOMEN PROCEDURAL APPLICATION ESSENTIAL |
| UA2491 | ABDOMEN PROCEDURAL APPLICATION ADVANCED |
| UA2481 | BRACHYTHERAPY PROCEDURAL APPLICATION |
| UA2454 | SMALL PARTS PROCEDURAL APPLICATION ESSENTIAL |
| UA2492 | SMALL PARTS PROCEDURAL APPLICATION ADVANCED |
| UA2497 | COLORECTAL PROCEDURAL APPLICATION |
| UA2498 | PELVIC FLOOR PROCEDURAL APPLICATION |
| UA2453 | MSK & NERVE PROCEDURAL APPLICATION |
| UA2455 | WOMEN'S HEALTH PROCEDURAL APPLICATION |
| UA2456 | VASCULAR PROCEDURAL APPLICATION |

| OPTIONS | |
|---------|---------------------|
| UA2471 | 3D FREEHAND |
| UA2472 | 3D PROFESSIONAL |
| UA2474 | STRAIN ELASTOGRAPHY |
| UA2478 | VECTOR FLOW IMAGING |
| UA2479 | VARIAN INTERFACE |

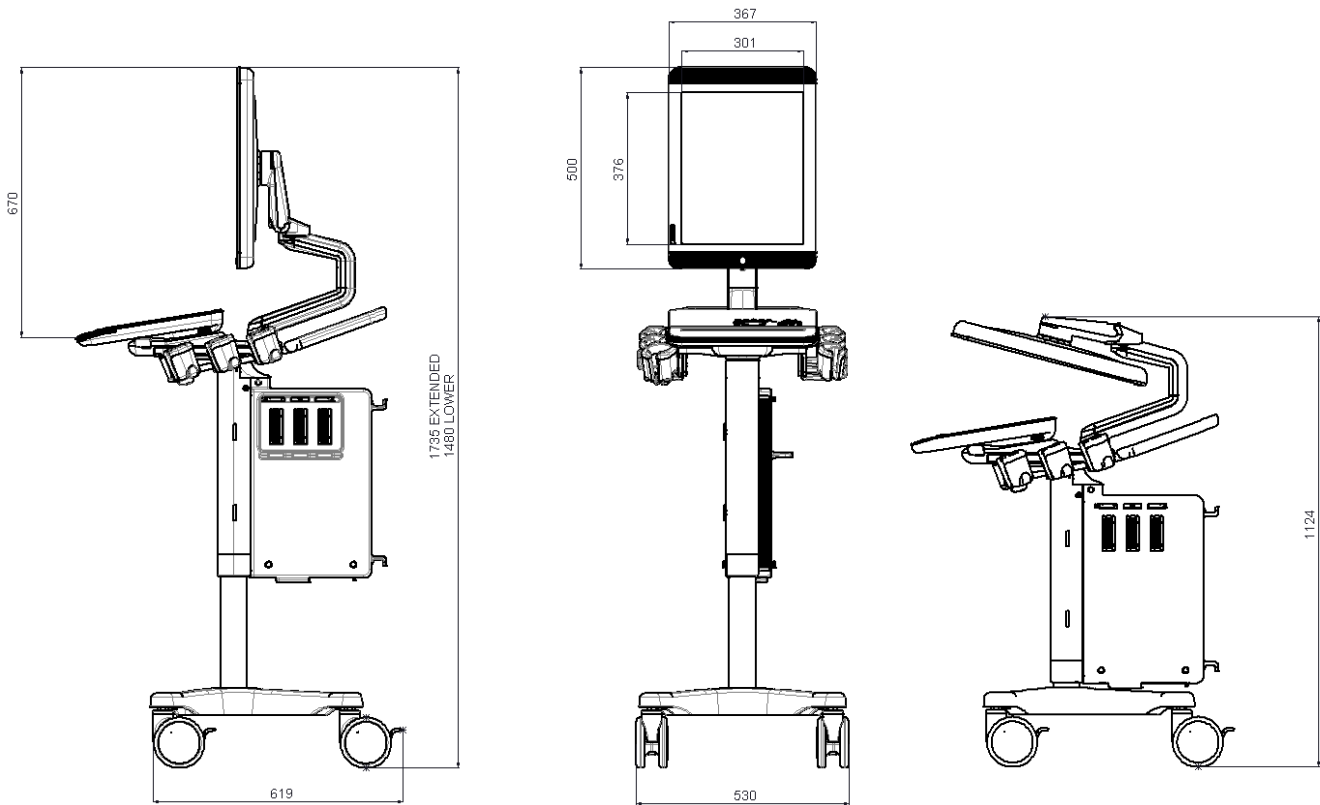
| ACCESSORIES | |
|-------------|-----------------------------|
| UA1370 | BASKET FOR ACCESSORIES |
| UA1379 | SIDE-MOUNT BASKET |
| UA4104 | INTEGRATED PRINTER KIT |
| UA1371 | EXTRA TRANSDUCER HOLDER KIT |
| UA1418 | CONNECTOR COVER WITH VALVE |
| UA2352 | FOOT SWITCH |

SPECIFICATIONS

| CLEANING AND DISINFECTION |
|---|
| COMPLETE DETAILS AND PROCEDURES CAN BE FOUND IN THE CARE AND CLEANING USER GUIDE. |
| SYSTEM CLEANING AND DISINFECTION PROCESSING CHEMICAL RESISTANCE DURING DISINFECTION: WIPING WITH: |
| <ul style="list-style-type: none"> • TRISTEL® DUO FOR ULTRASOUND (EXCEPT FOR MONITOR) • ETHANOL (70-85%) • WET WIPE ETHANOL DISINFECTION |
| WEIGHT |
| <ul style="list-style-type: none"> • 73 KG (EXCLUDING TRANSDUCERS AND PRINTER) • 74 KG BATTERY VERSION (EXCLUDING TRANSDUCERS AND PRINTER) |

TECHNICAL DRAWINGS

ALL MEASUREMENTS ARE IN MM.



 BK Medical ApS, Mileparken 34, 2730 Herlev, Denmark. T +45 4452 8100 F +45 4452 8199



BK Medical
8 Centennial Drive
Peabody
MA01960
USA
T + 1 978-326-1300
bkmedical.com

USA
Sales & Service
BK Medical
8 Centennial Drive
Peabody
MA01960
USA
T + 1 978-326-1300
F + 1 978-326-1399
bkmedical.com

Europe and Rest of World
Sales, Service & Design Center
BK Medical
Mileparken 34
2730 Herlev
Denmark
T +45 4452 8100
F +45 4452 8199
bkmedical.com